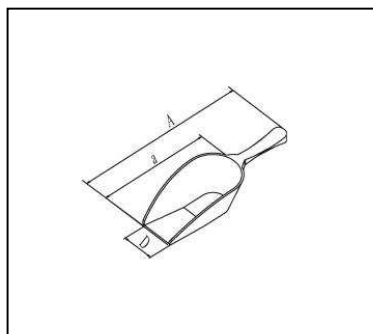


Chemical scoops, aluminium



Material	A (Length)	a (Length)	D/Ø	ml	Article no.
Aluminium	65	40	12	5	8814
Aluminium	85	52	13	10	8815
Aluminium	135	80	24	50	8816
Aluminium	155	95	30	65	8817
Aluminium	185	115	32	90	8818
Aluminium	210	120	37	160	8819
Aluminium	250	145	45	240	8820
Aluminium	290	175	55	400	8821
Aluminium	310	185	57	480	8822
Aluminium	350	220	63	900	8823
Aluminium	400	270	83	1600	8824
Aluminium	430	300	95	2500	8825
Aluminium	250	120	35	90	8827
Aluminium	285	120	35	90	8828
Aluminium	365	120	35	90	8829