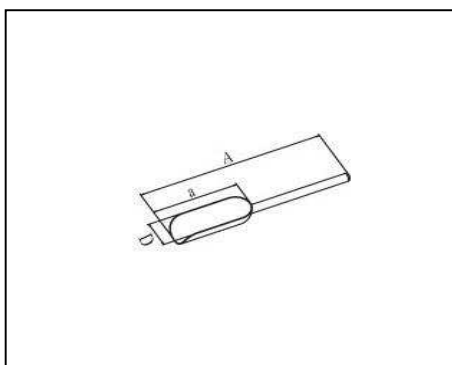
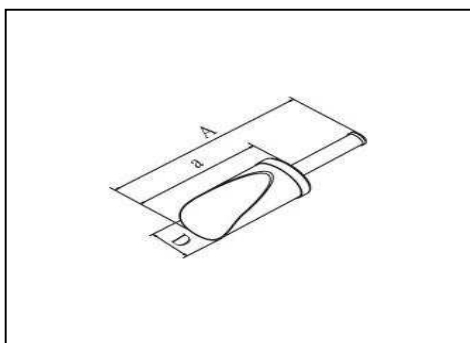


Pharma scoops, stainless steel 18/10



Material	A (Length)	a (Length)	D/Ø	l (Liter)	Article no.
18/10 Stainless	215	100	40	0,15	8809
18/10 Stainless	310	160	82	0,25	8810
18/10 Stainless	350	200	102	0,5	8811
18/10 Stainless	390	220	120	1,0	8812
18/10 Stainless	450	300	160	2,0	8813

Chemical scoops, stainless steel 18/10



Material	A (Length)	a (Length)	D/Ø	l (Liter)	Article no.
18/10 Stainless	190	100	50	0,12	8800
18/10 Stainless	250	145	75	0,45	8801
18/10 Stainless	320	190	105	1,00	8802
18/10 Stainless	350	230	120	1,50	8803
18/10 Stainless	370	250	150	2,00	8804